

Flushing flange is used for flushing solution combined with diaphragm seals. This type of flushing ring is clamped between process nozzle and diaphragm seal and aligned by the exact same bolt holes as the process nozzle and the diaphragm seal. The flushing flange can be combined with the BF and BRF seal and BC and BRC seal.



STANDARD EXECUTION

BODY	GASKET SURFACE FINISH	FACING	TYPE
AISI 316(L)	Ra 3.2-6.3 µm	RF	type B1

FLUSH CONNECTION
1/4" NPT

FLANGED PROCESS CONNECTIONS

ASME B16.5

size	rating
1"	cl. 150 - cl. 2500
1.5"	cl. 150 - cl. 2500
2"	cl. 150 - cl. 2500
3"	cl. 150 - cl. 2500
4"	cl. 150 - cl. 2500

EN 1092-1

size	rating
DN25	PN10-100
DN40	PN10-100
DN50	PN10-100
DN80	PN10-100
DN100	PN10-100

FLUSHING CONNECTIONS

size	thread	norms
1/4"	NPT	ANSI B1.20.1
1/4"	BSP	ISO 228
1/2"	NPT	ANSI B1.20.1
1/2"	BSP	ISO 228

BODY MATERIAL, AND FACING OPTIONS

body material
AISI 316(L)
AISI 304(L)
AISI 321
Hastelloy C-276
Monel 400
Duplex
Super Duplex
Inconel 600

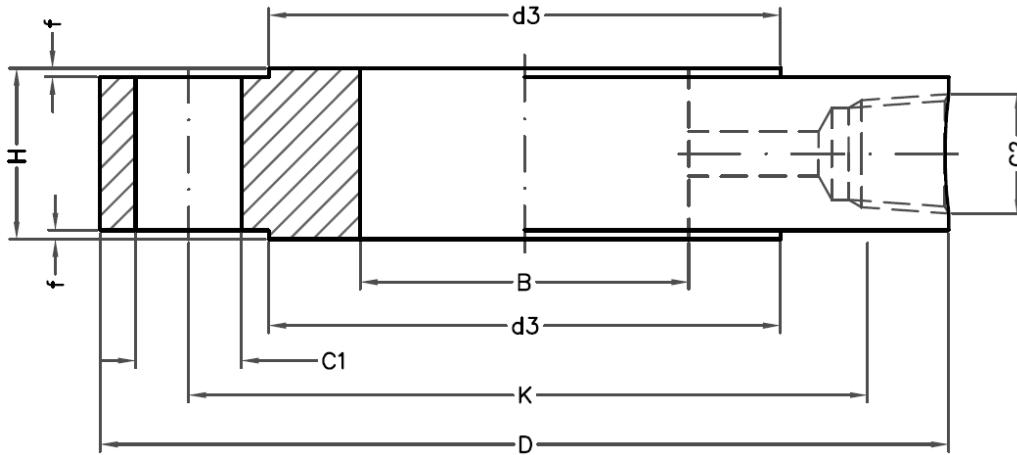
facing (ASME B16.5)	
RF	Ra 3.2-6.3 µm
RJF	Ra <1.6 µm
LMF	Ra 3.2-6.3 µm
SMF	Ra <3.2 µm
FF	Ra 3.2-6.3 µm
LTF	Ra <3.2 µm
STF	Ra <3.2 µm
LGF	Ra <3.2 µm
SGF	Ra <3.2 µm
LFF	Ra 3.2-6.3 µm
SFF	Ra <3.2 µm

facing type (EN 1092-1)	
B1	Ra 3.2-12.5 µm
A	Ra 3.2-12.5 µm
B2	Ra 0.8-3.2 µm
C	Ra 0.8-3.2 µm
D	Ra 0.8-3.2 µm
E	Ra 3.2-12.5 µm
F	Ra 3.2-12.5 µm
G	Ra 0.8-3.2 µm
H	Ra 0.8-3.2 µm

OPTIONS

- vent & blind plugs
- BDTV 910 valves
- set of handles welded on side of flange

DRAWING AND DIMENSIONS STANDARD EXECUTIONS



ASME B16.5 - RF FACING

size	rating	facing	H (C2=1/4")	H (C2=1/2")	B	D	f	d3	K	C1 (inch)	C1 / pcs
1"	cl. 150	RF	24	33	27	110	2	51	80	5/8"	16 / 4x
1"	cl. 300	RF	24	33	27	125	2	51	89	3/4"	19 / 4x
1"	cl. 400-600	RF	33	33	27	125	7	51	89	3/4"	19 / 4x
1"	cl. 900-1500	RF	43	43	27	150	7	51	102	1"	25 / 4x
1"	cl. 2500	RF	49	49	27	160	7	51	108	1"	25 / 4x
1,5"	cl. 150	RF	24	33	41	125	2	73	99	5/8"	16 / 4x
1,5"	cl. 300	RF	24	33	41	155	2	73	114	7/8"	22 / 4x
1,5"	cl. 400-600	RF	35	35	41	155	7	73	114	7/8"	22 / 4x
1,5"	cl. 900-1500	RF	46	46	41	180	7	73	124	1 1/8"	29 / 4x
1,5"	cl. 2500	RF	59	59	41	205	7	73	146	1 1/2"	32 / 4x
2"	cl. 150	RF	27	33	53	150	2	92	121	3/4"	19 / 4x
2"	cl. 300	RF	27	33	53	165	2	92	127	3/4"	19 / 8x
2"	cl. 400-600	RF	38	43	53	165	7	92	127	3/4"	19 / 8x
2"	cl. 900-1500	RF	52	52	53	215	7	92	165	1"	25 / 8x
2"	cl. 2500	RF	65	65	53	235	7	92	171	1 1/8"	29 / 8x
3"	cl. 150	RF	28	33	78	190	2	127	152	3/4"	19 / 4x
3"	cl. 300	RF	28	33	78	210	2	127	168	7/8"	22 / 8x
3"	cl. 400-600	RF	45	45	78	210	7	127	168	7/8"	22 / 8x
3"	cl. 900	RF	52	52	78	240	7	127	191	1"	25 / 8x
3"	cl. 1500	RF	62	62	78	265	7	127	203	1 1/4"	32 / 8x
3"	cl. 2500	RF	81	81	78	305	7	127	229	1 5/8"	35 / 8x
4"	cl. 150	RF	26	33	102	230	2	157	191	3/4"	19 / 8x
4"	cl. 300	RF	33	33	102	255	2	157	200	7/8"	22 / 8x
4"	cl. 400	RF	44	44	102	255	7	157	200	1"	25 / 8x
4"	cl. 600	RF	51	54	102	275	7	157	216	1"	25 / 8x
4"	cl. 900	RF	59	59	102	290	7	157	235	1 1/4"	32 / 8x
4"	cl. 1500	RF	68	68	102	310	7	157	241	1 5/8"	35 / 8x
4"	cl. 2500	RF	90	90	102	355	7	157	273	1 7/8"	42 / 8x

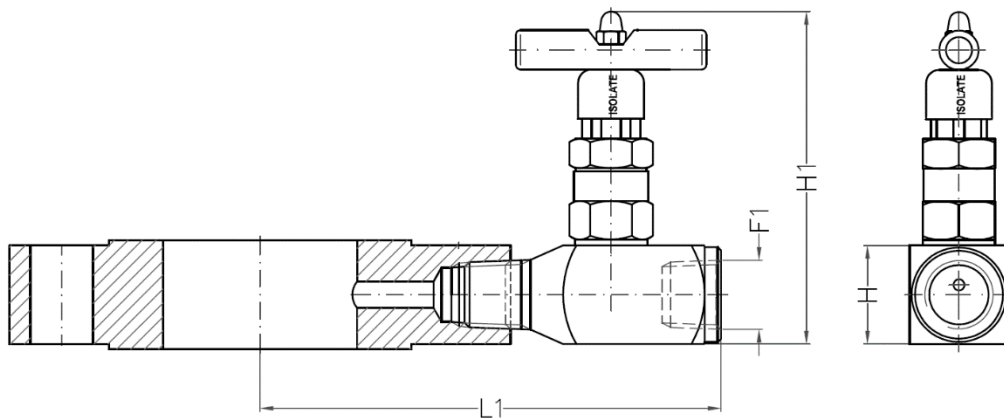
All dimensions in mm

EN 1092-1 - TYPE B1

size	rating	type	H (C2=1/4")	H (C2=1/2")	B	D	f	d3	K	C1 / pcs
DN25	PN10-40	B1	24	33	29	115	2	68	85	14 / 4x
DN25	PN63	B1	28	37	29	140	2	68	100	18 / 4x
DN25	PN100	B1	28	37	29	140	2	68	100	18 / 4x
DN40	PN10-40	B1	24	33	43	150	3	88	110	18 / 4x
DN40	PN63	B1	29	38	43	170	3	88	125	22 / 4x
DN40	PN100	B1	29	39	43	170	3	88	125	22 / 4x
DN50	PN10-40	B1	28	33	54	165	3	102	125	18 / 4x
DN50	PN63	B1	29	38	54	180	3	102	135	22 / 4x
DN50	PN100	B1	31	40	54	195	3	102	145	26 / 4x
DN80	PN10-16	B1	28	33	81	200	3	138	160	18 / 8x
DN80	PN25-40	B1	28	33	81	200	3	138	160	18 / 8x
DN80	PN63	B1	31	40	81	215	3	138	170	22 / 8x
DN80	PN100	B1	35	44	81	230	3	138	180	26 / 8x
DN100	PN10-16	B1	26	33	104	220	3	158	180	18 / 8x
DN100	PN25-40	B1	27	36	104	235	3	162	190	22 / 8x
DN100	PN63	B1	33	42	104	250	3	162	200	26 / 8x

All dimensions in mm

DRAWING AND DIMENSIONS STANDARD EXECUTIONS – FLUSH FLANGE WITH BDTV910 VALVE



ASME B16.5 - RF FACING

size	facing	F1	L1	H1 (open)	H
1"	RF	1/8" / 1/2"	1/2 x D + 60	102	30
1.5"	RF	1/4" / 1/2"	1/2 x D + 60	102	30
2"	RF	1/4" / 1/2"	1/2 x D + 60	102	30
3"	RF	1/4" / 1/2"	1/2 x D + 60	102	30
4"	RF	1/4" / 1/2"	1/2 x D + 60	102	30

Note: for size D check flush flange ASME table

All dimensions in mm

EN 1092-1 - TYPE B1

size	type	F1	L1	H1 (open)	H
DN25	B1	1/8" / 1/2"	1/2 x D + 60	102	30
DN40	B1	1/4" / 1/2"	1/2 x D + 60	102	30
DN50	B1	1/4" / 1/2"	1/2 x D + 60	102	30
DN80	B1	1/4" / 1/2"	1/2 x D + 60	102	30
DN100	B1	1/4" / 1/2"	1/2 x D + 60	102	30

Note: for size D check flush flange EN table

All dimensions in mm



Holland – United Kingdom – Romania – India – Thailand – Dubai – USA

To our knowledge, the information contained herein is accurate as of the date of this document. However neither Badotherm, nor its affiliates makes any warranty, express or limited, or accepts any liability in connection with this information or its use. This information is for technical skilled persons at their own discretion and risk and does not relate to the use of this product in combination with any other product. The user alone finally determines suitability of any information or material in contemplated use, the manner of use and whether any patents are infringed. This information gives typical properties only.

Badotherm reserves the right to make changes to the specifications and materials without prior notice. The latest version of the datasheet can be found on www.badotherm.com.

© 2001 Badotherm, all rights reserved. Trademarks and/or other products referenced herein are either trademarks or registered trademarks of Badotherm.